

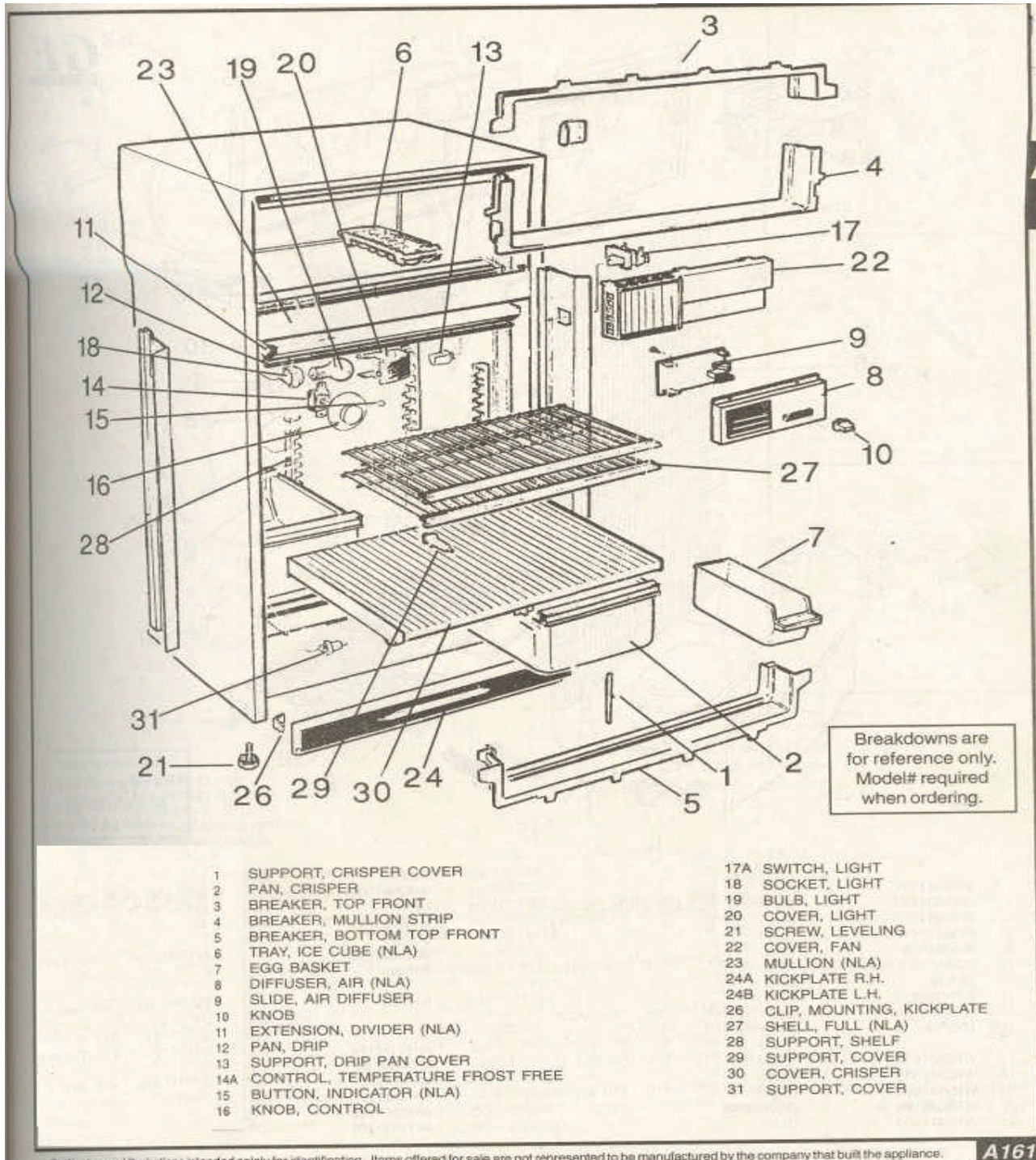
Unionville Appliance Ltd.

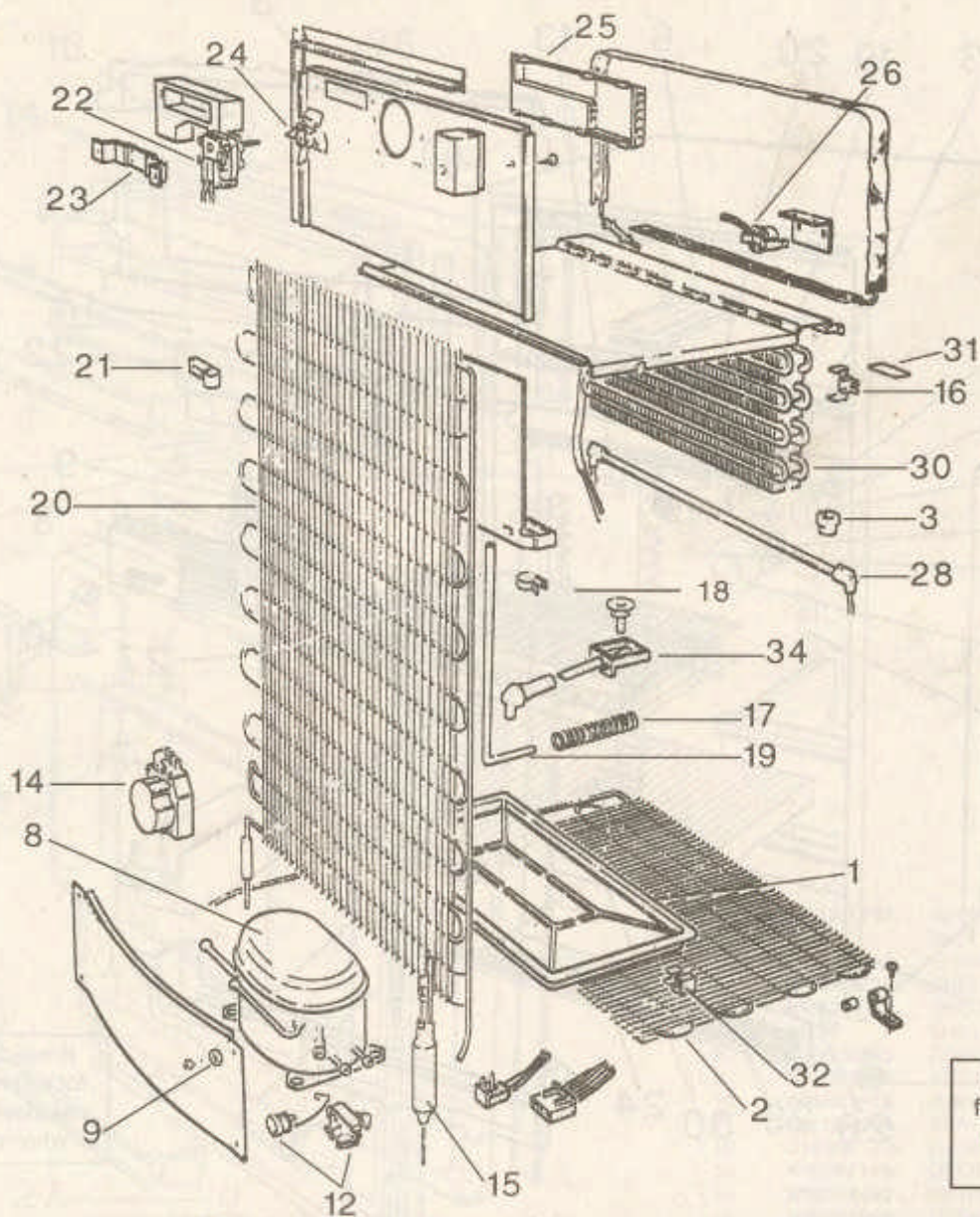
Sales and Service for Most Makes and Models

Service: 905-472-0021 Parts: 905-472-0021 / 1-800-303-9948

Refrigerator Reference Diagrams

These diagrams are to assist you in identifying the part(s) you need. This is only an example as there are many different models. You may reference the numbers shown in these diagrams to assist Unionville Appliance in providing the correct part.





Breakdowns are
for reference only.
Model# required
when ordering.

- 1 PAN, DEFOST
- 2 CONDENSER, OIL COOLING (NLA)
- 3 SUPPORT, EVAPORATOR (NLA)
- 8 COMPRESSOR
- 9 WASHER (NLA)
- 12 COMBINATION RELAY & OVERLOAD
- 14 TIMER, DEFOST
- 15 FILTER DRYER
- 16A CLIP, MOUNTING, HEATER (NLA)
- 16B CLIP, MOUNTING, HEATER (STARTING WITH - 10) (NLA)
- 17 SPRING, HOSE SUPPORT (NLA)
- 18 CLAMP (NLA)
- 19 DRAIN TUBE (CABINET REAR) (NLA)
- 20 CONDENSER (NLA)
- 21 CLIP

- 22 MOTOR, FAN
- 23 BRACKET
- 24 BLADE, FAN
- 25 COVER, FAN
- 26 THERMOSTAT, DEFOST
- 27 HEAT EXCHANGER
- 28A DEFROST ELEMENT, EVAPORATOR
- 28B DEFROST ELEMENT, EVAPORATOR (STARTING WITH - 10 MODEL)
- 29 HEATER, CABINET
- 30 EVAPORATOR (NLA)
- 31 SHIELD, CABINET HEATER (NLA)
- 32 RETAINER, DEFOST PAN (NLA)
- 33 TUBE, DRAIN TROUGH
- 34 DRAIN CUP